



THE Eco ST

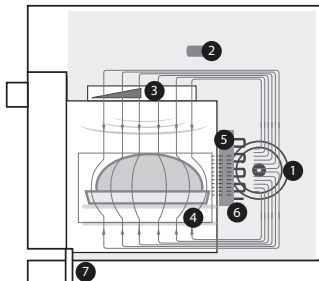


性能

凭借TurboChef公司的专利技术，快速烹饪食品，且不影响产品品质，ECO ST提供了卓越的烹饪性能，同时减小对空间和能效的要求。

排烟

- 无需排烟罩认证
- EPA 202 测试 (8 小时):
 - 产品: 162 Pepperoni Pizzas
 - 结果: 0.89 mg/m³
 - 无烟罩要求: <5.00 mg/m³
- 内置的催化过滤器可以有效限制烟，油脂和臭味的排放。



1. 鼓风机
2. 顶部微波发射
3. 搅拌机 (顶部热风喷射和微波)
4. 热风喷射 (底部)
5. 催化转换器
6. 加热器
7. 空气滤网

项目 _____

编号 _____

数量 _____

外部结构

- 耐腐蚀型不锈钢的外壳和门
- 机壳冷接触，表面温度杜宇122°F、50°C
- 人体工程学把手

内部结构

- 201/304 不锈钢
- 一体式焊接隔热内腔
- 可便捷拆卸的烤架和底部热风喷射板

产品特性

- 单电机控制的上下垂直热风喷射
- 顶部微波发射系统
- 搅拌机使热风 and 微波均匀的在腔内分布
- UL® (KNLZ) 的无需烟灶的排烟认证
- 外部空气过滤
- 智能菜单系统，最多可以储存多大256个菜单
- 可通过Wi-Fi (额外收费)，USB，和手动输入来上传菜单
- 可通过USB来升级系统固件
- 单，双温度接口可选
- 自动监测烤箱零部件和性能的自诊断
- 智能电压传感器技术* (U.S. only)
- 可堆叠 (需要堆叠架)
- 自带插头和线缆 (标配6 ft./1.8m)
- 保修-一年零配件和人工

随机标准配件包

- 1瓶烤箱清洗剂(103180)
- 1瓶烤箱防护剂 (103181)
- 2个喷壶 (103182)
- 2 铝盘 (i1-9496)
- 1 铝铲 (i1-9716)

认证



This product conforms to the ventilation recommendations set forth by NFPA96 using EPA202 test method.

* Smart Voltage Sensor Technology does not compensate for lack of or over voltage situations. It is the responsibility of the owner to supply voltage to the unit according to the specifications on the back of this sheet.

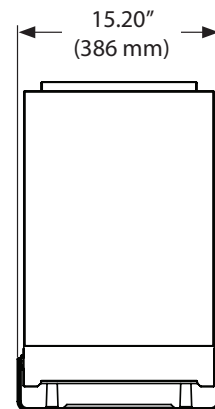
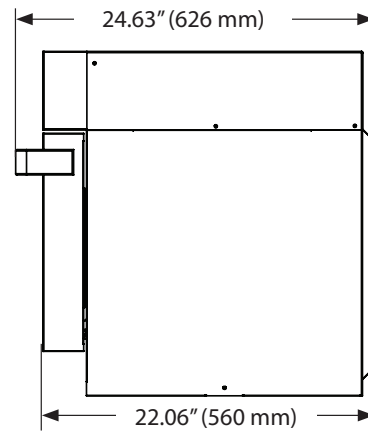
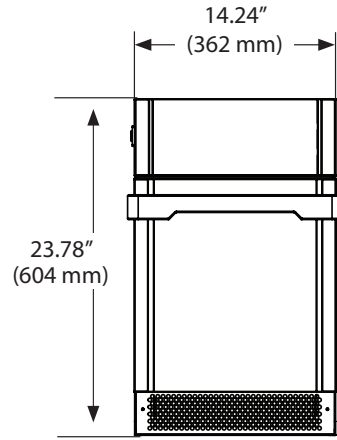
† Ventless certification is for all food items except for foods classified as “fatty raw proteins.” Such foods include bone-in, skin-on chicken, raw hamburger meat, raw bacon, raw sausage, steaks, etc. If cooking these types of foods, consult local HVAC codes and authorities to ensure compliance with ventilation requirements.

Ultimate ventless allowance is dependent upon AHJ approval, as some jurisdictions may not recognize the UL certification or application. If you have questions regarding ventless certifications or local codes, please email ventless.help@turbochef.com

TurboChef reserves the right to make substitutions of components or change specifications without prior notice.



尺寸		
高度	23.78	604 mm
宽度	14.25"	362 mm
深度	22.06"	560 mm
重量	130 lb.	59 kg
烹饪腔尺寸		
高度 / 可使用高度	7.2" / 5.7"	183 mm / 145 mm
宽度	12.5"	318 mm
深度 / 可使用深度	10.5" / 9.3"	267 mm / 236 mm
容积 / 可使用容积	0.54 cu.ft. / 0.38 cu.ft.	15.3 liters / 10.7 liters
到墙间隙 (烤箱不适用于嵌入式安装)		
顶部	5"	127 mm
侧边	1"	25 mm
电气参数 - 单相电		
US/CANADA ECS-9500-1: Stainless Steel ECS-9500-2: Traffic Red (RAL-3020) ECS-9500-3: Yellow Green (RAL 6018) ECS-9500-4: Pure White (RAL 9010) ECS-9500-5: Jet Black (RAL 9005) ECS-9500-6: Blue (Custom)	208/240 VAC, 60 Hz, 30 A Max Input: 6.2 kW* MW: 3.2 kW HTR: 6.0 kW Plug: NEMA 6-30P	
EUROPE (UK,CN) ECS-9500-13-UK: Stainless Steel ECS-9500-14-UK: Traffic Red (RAL-3020) ECS-9500-15-UK: Yellow Green (RAL 6018) ECS-9500-16-UK: Pure White (RAL 9010) ECS-9500-17-UK: Jet Black (RAL 9005) ECS-9500-18-UK: Blue (Custom)	230 VAC, 50 Hz, 27 A 最大输入功率: 6.2 kW* 微波功率: 3.2 kW 加热功率: 6.0 kW Plug: IEC 309, 3-pin	
JAPAN (JK) ECS-9500-25-JK: Stainless Steel ECS-9500-26-JK: Traffic Red (RAL-3020) ECS-9500-27-JK: Yellow Green (RAL 6018) ECS-9500-28-JK: Pure White (RAL 9010) ECS-9500-29-JK: Jet Black (RAL 9005) ECS-9500-30-JK: Blue (Custom)	200 VAC, 50 Hz, 30 A Max Input: 6.2 kW* MW: 3.2 kW HTR: 6.0 kW Plug, NEMA L6-50, PSE, 3-blade	
JAPAN (JK) ECS-9500-31-JK : Stainless Steel ECS-9500-32-JK : Traffic Red (RAL-3020) ECS-9500-33-JK : Yellow Green (RAL 6018) ECS-9500-34-JK : Pure White (RAL 9010) ECS-9500-35-JK : Jet Black (RAL 9005) ECS-9500-36-JK : Blue (Custom)	200 VAC, 60 Hz, 30 A Max Input: 6.2 kW* MW: 3.2 kW HTR: 6.0 kW Plug, NEMA L6-50, PSE, 3-blade	



下页继续。。

*正常运行时, 烤箱不会超过最大输入值。

TurboChef 推荐在欧标的国家安装时推荐使用D型的漏电保护器。

电气参数 - 多相电

EUROPE DELTA (ED) ECS-9500-67-ED: Stainless Steel ECS-9500-68-ED: Traffic Red (RAL-3020) ECS-9500-69-ED: Yellow Green (RAL 6018) ECS-9500-70-ED: Pure White (RAL 9010) ECS-9500-71-ED: Jet Black (RAL 9005) ECS-9500-72-ED: Blue (Custom)	230 VAC, 50 Hz, 20 A Max Input: 6.2 kW* MW: 3.2 kW HTR: 6.0 kW Plug: IEC 309, 4-pin	
EUROPE WYE (EW) ECS-9500-7-EW: Stainless Steel ECS-9500-8-EW: Traffic Red (RAL-3020) ECS-9500-9-EW: Yellow Green (RAL 6018) ECS-9500-10-EW: Pure White (RAL 9010) ECS-9500-11-EW: Jet Black (RAL 9005) ECS-9500-12-EW: Blue (Custom)	400 VAC, 50 Hz, 16 A 最大输入功率: 6.2 kW* 微波功率: 3.2 kW 加热功率: 6.0 kW Plug: IEC 309, 5-pin	
AUSTRALIA (AU) ECS-9500-19-AU: Stainless Steel ECS-9500-20-AU: Traffic Red (RAL-3020) ECS-9500-21-AU: Yellow Green (RAL 6018) ECS-9500-22-AU: Pure White (RAL 9010) ECS-9500-23-AU: Jet Black (RAL 9005) ECS-9500-24-AU: Blue (Custom)	400 VAC, 50 Hz, 16 A Max Input: 6.2 kW* MW: 3.2 kW HTR: 6.0 kW Plug: Clipsal, 5-pin	
JAPAN (JD) ECS-9500-73-JD: Stainless Steel ECS-9500-74-JD: Traffic Red (RAL-3020) ECS-9500-75-JD: Yellow Green (RAL 6018) ECS-9500-76-JD: Pure White (RAL 9010) ECS-9500-77-JD: Jet Black (RAL 9005) ECS-9500-78-JD: Blue (Custom)	200 VAC, 50 Hz, 20 A Max Input: 6.2 kW* MW: 3.2 kW HTR: 6.0 kW Plug: NEMA L6-50, PSE, 4-blade	

JAPAN (JD) ECS-9500-101-JD : Stainless Steel ECS-9500-102-JD : Traffic Red (RAL-3020) ECS-9500-103-JD : Yellow Green (RAL 6018) ECS-9500-104-JD : Pure White (RAL 9010) ECS-9500-105-JD : Jet Black (RAL 9005) ECS-9500-106-JD : Blue (Custom)	200 VAC, 60 Hz, 20 A Max Input: 6.2 kW* MW: 3.2 kW HTR: 6.0 kW Plug: NEMA L6-50, PSE, 4-blade	
KOREA/MIDDLE EAST WYE (KW) ECS-9500-61-KW: Stainless Steel ECS-9500-62-KW: Traffic Red (RAL-3020) ECS-9500-63-KW: Yellow Green (RAL 6018) ECS-9500-64-KW: Pure White (RAL 9010) ECS-9500-65-KW: Jet Black (RAL 9005) ECS-9500-66-KW: Blue (Custom)	400 VAC, 60 Hz, 16 A Max Input: 6.2 kW* MW: 3.2 kW HTR: 6.0 kW Plug: IEC 309, 5-pin	
KOREA/MIDDLE EAST WYE (SD) ECS-9500-43-SD: Stainless Steel ECS-9500-44-SD: Traffic Red (RAL-3020) ECS-9500-45-SD: Yellow Green (RAL 6018) ECS-9500-46-SD: Pure White (RAL 9010) ECS-9500-47-SD: Jet Black (RAL 9005) ECS-9500-48-SD: Blue (Custom)	230 VAC, 60 Hz, 20 A Max Input: 6.2 kW* MW: 3.2 kW HTR: 6.0 kW Plug: IEC 309, 4-pin	
SHIPPING INFORMATION		
U.S.: All ovens shipped within the U.S. are packaged in a double-wall corrugated box banded to a wooden skid. International: All International ovens shipped via Air or Less than Container Loads are packaged in wooden crates.		
Box size: 33" x 24" x 34" (838 mm x 610 mm x 864 mm) Crate size: 33" x 24" x 34" (838 mm x 610 mm x 864 mm) Item class: 110 NMFC #26710 HS code 8419.81		
Approximate boxed weight: 163 lb. (74 kg) / Approximate crated weight: 191 lb. (87 kg)		
Minimum entry clearance required for box: 34.5" (876 mm) Minimum entry clearance required for crate: 34.5" (876 mm)		

* Under normal operation, the oven will not exceed the max input value.

TurboChef recommends installing a type D circuit breaker for European installations.